

SPORTING 2 SECURITHERM ELECTRONIC SHOWER PANEL

A simple and aesthetic anti-Legionella solution



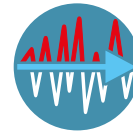
SPORTING 2 SECURITHERM shower panel, ref. DELABIE 714910



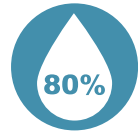
Hygiene and infection control



Anti-scalding safety



Temperature stability



80% water savings

DELABIE has unveiled its new thermostatic electronic shower panel: SPORTING 2 SECURITHERM.

Hygienic, safe and economic, it guarantees optimal comfort.

Impeccable hygiene

Thanks to its electronic technology, there is no need for manual contact when using the SPORTING 2 SECURITHERM, preventing the spread of germs. The flow opens and shuts off when the sensor detects a hand. A 60-second flush occurs every 24 hours after the last use to purge the water distribution system. This helps the fight against bacterial proliferation which occurs when water stagnates in the pipework. A scale-resistant shower head adds to its hygienic attributes.

Preventative anti-Legionella solution

Legionella bacteria develop between 25 and 45°C, and in stagnant water. We recommend mixing the water as close as possible to the point-of-use to prevent its development. The SPORTING 2 SECURITHERM is an ideal solution: the shower panel is supplied directly by the hot water distribution system (at temperatures above 50°C) and by cold water also from the system. The thermostatic mixing valve integrated in the shower head blends the water to 38°C and delivers it immediately. There is no mixed water circulating between the hot water system and the shower, nor is there any standing water in the shower panel.

Optimal anti-scalding safety

SECURITHERM technology ensures the user's safety. It eradicates the risk of scalding thanks to the thermostatic mixing valve integrated within the shower head. If the cold water supply fails, the mechanism shuts off automatically to avoid delivering scalding hot water. The mixed water temperature can be pre-set by the installer.

Comfort for all

The mixer delivers a stable temperature regardless of pressure variations in the system, ensuring the user's comfort. If the hot water supply fails, the shower shuts off automatically to prevent cold showers. DELABIE also offers a version with a comfort shower head with a rain-effect spray (DP).

Installation and maintenance adapted for all configurations

This shower panel has also been designed to simplify installation. Several versions are available: exposed inlets to connect from the top in front of the wall; or recessed inlets to connect from the rear (from the top or from beneath). Maintenance is simplified, with direct access to the filters and non-return valves; and the stopcocks are also integrated within the shower head.

An economical and ecological solution

The SPORTING 2 SECURITHERM shower panel can deliver water savings of up to 80% compared to a conventional shower. The water flow can be interrupted at any moment by the user simply by passing their hand in front of the sensor. If the user forgets, shut-off is automatic after 60 seconds, which prevents waste. Finally, the flow rate is controlled and pre-set at 6 litres per minute.

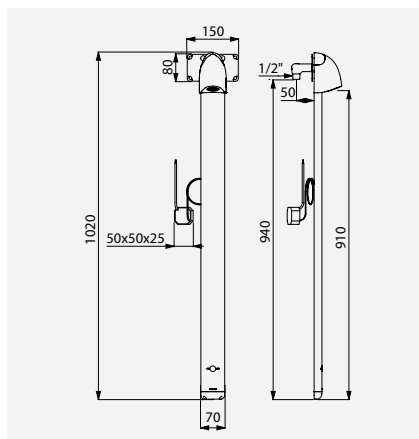
WINNER OF MULTIPLE AWARDS:



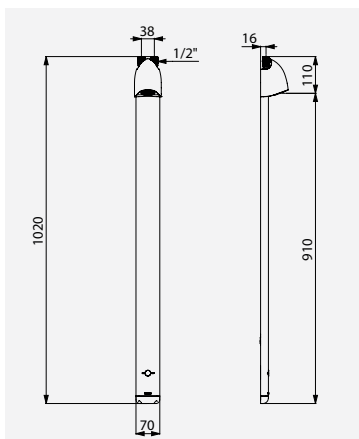
PRODUCT BRIEF / SPORTING 2 SECURITHERM

The SPORTING 2 SECURITHERM is totally hygienic: there is no manual contact, and a daily duty flush prevents bacterial proliferation. With SECURITHERM technology, the user benefits from total safety (anti-Legionella solution, anti-scalding system) and optimal comfort. To simplify its installation, it is available in several versions to adapt easily to the installation type. Economical and ecological, it delivers up to 80% water savings and minimises waste.

Images available on our website delabie.com, in the PRESS section

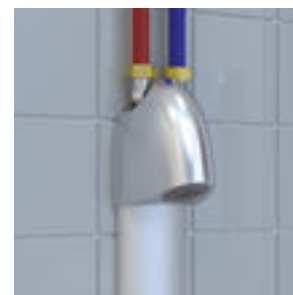


SPORTING 2 SECURITHERM electronic shower panel with mains supply, recessed inlets
Ref. DELABIE: 714910

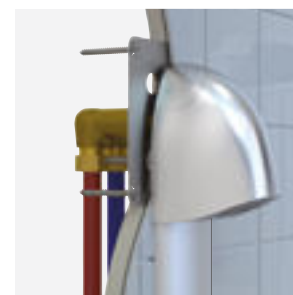


SPORTING 2 SECURITHERM battery-operated shower panel, top inlets
Ref. DELABIE: 714906

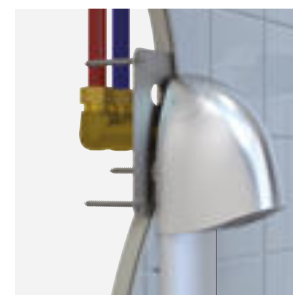
MULTIPLE INSTALLATION OPTIONS



Exposed water inlets

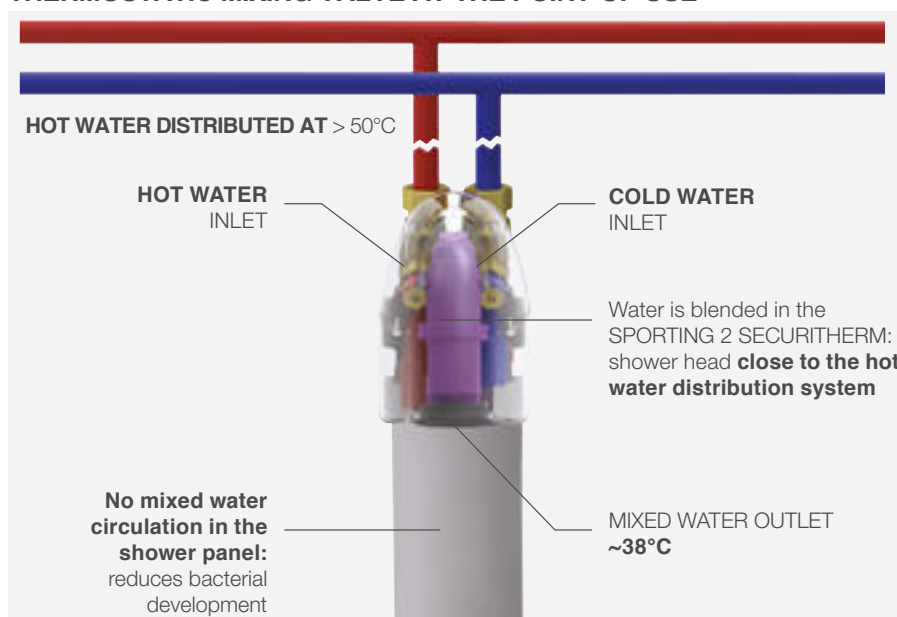


Recessed water inlets from beneath



Recessed water inlets from above

THERMOSTATIC MIXING VALVE AT THE POINT-OF-USE



Integrated anti-Legionella solution

DELABIE, manufacturer's expertise

DELABIE, a 100% family-owned French company, founded in 1928, is the European market leader in water controls and sanitary equipment for public and commercial places. The company offers five product ranges specifically for this market: Commercial water controls, Hospital water controls, Accessibility and Hygienic accessories, Stainless steel sanitary ware and Specialist water controls.

Over 2,000 DELABIE manufactured items, including international references, are exported from its factory in France to more than 90 countries.

The company has 9 subsidiaries worldwide: Germany, Austria, Benelux, United Kingdom, Spain, Portugal, Poland, United Arab Emirates (Dubai) and China (Hong-Kong).

Find DELABIE on these social networks



PRESS CONTACT

DELPHINE BUSSIÈRE
International Marketing Dept.

Tel. +33 (0)6 30 37 26 46
presse@delabie.fr