

THE FLUSH AT YOUR FINGERTIPS

Side control direct flush system without cistern



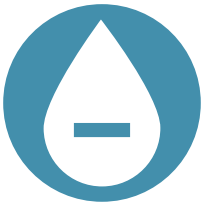
No cistern: no stagnant water



Side control accessible to people with reduced mobility



Design



Adjustable low flush volume



Easy maintenance from the front



Refs. DELABIE: 511964BK, 464306, 511982BK, 510083BK

DELABIE recommends that public sanitary facilities include at least one toilet adapted for the disabled. As an expert in sanitary equipment for public places, DELABIE offers two side control flush solutions that facilitate the autonomy of people with reduced mobility in public toilets.

Hygiene

The absence of a cistern prevents the water from stagnating and therefore considerably limits bacterial proliferation. DELABIE's side flushes are therefore well suited to both traditional public buildings and healthcare facilities that can accommodate physically handicapped and frail people.

Ergonomics

Both the TEMPOMATIC dual control WC and the TEMPOFLUX 3 side control WC have a soft-touch remote push-button. This makes it much easier for people with reduced mobility to activate the toilet flush, as it is positioned in such a way that it requires very little physical effort. With the electronic version, the user can also choose not to activate the flush as it can be activated electronically when the user leaves.

Water savings

DELABIE's side flush solutions are water saving. They are cistern-less, i.e. connected directly to the pipe. This considerably reduces the risk of leaks and the need to flush several times thanks to its powerful flush. They also have 3 litre/6 litre flush volumes, adjustable to 2 litre/4 litre. With the electronic version, the flushing is "intelligent". The DELABIE system is able to distinguish between the need for a small and a large flush volume.

Design

The sleek lines and the harmonious blend of brushed stainless steel and chrome-plated metal make DELABIE's side flush systems very aesthetic. They match the other sanitary equipment designed by DELABIE for people with reduced mobility perfectly. Finally, accessible and non-stigmatising sanitary facilities: with DELABIE, it's possible!

Quick and easy to install

The housing can be installed in a variety of ways: from the sides on plasterboard rails, from the front on a solid wall or from the back on a panel. The housing can be cut to size lengthways to adjust to walls up to 120mm deep. Both flush systems connect to a standard or "pipe-in-pipe" installation from the outside of the housing. The side control plate can be installed at any desired location depending on requirements and configurations.

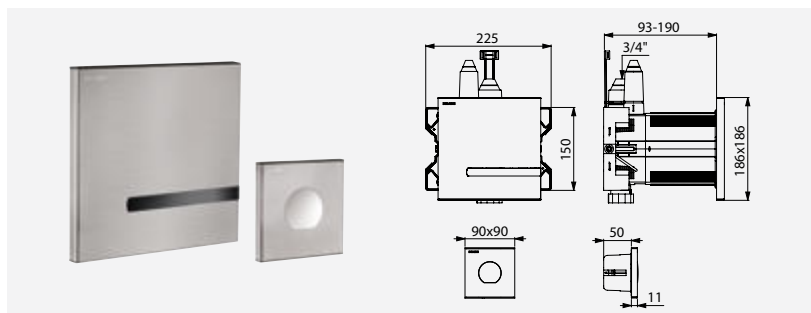
Simple to service and maintain

Unlike other products that are available, the backflow prevention device is located inside the housing. In the event of any backflow, the water will be evacuated in front of the wall, via the 100% waterproof DELABIE housing (patented system), and not behind (or into) the wall. The valve is suitable for grey water and sea water. Maintenance is undertaken from the front. Simply remove the control plate.

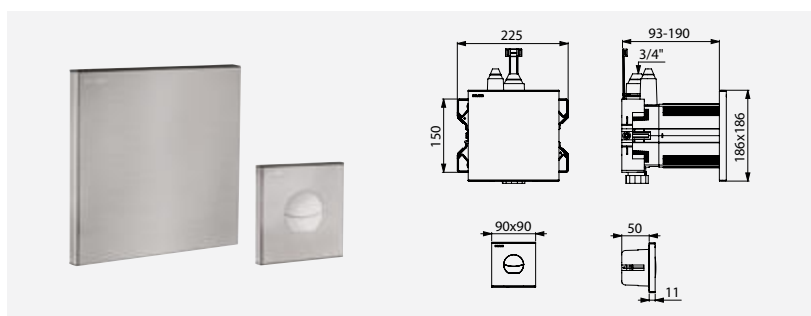
PRODUCT BRIEF / THE FLUSH AT YOUR FINGERTIPS

The new DELABIE side flush systems combine hygiene, ergonomics, water saving and design! They are THE non-stigmatising solution for public toilets adapted for people with reduced mobility. In fact, in addition to their sleek design, they both have a soft-touch side control that considerably limits the effort required to activate the flush thanks to its positioning and flexibility. They are perfect examples of the design-for-all promoted by DELABIE! 10 year guarantee.

Images available on our website delabie.com, in the PRESS section



Side control dual flush TEMPOMATIC electronic flush system
Refs. DELABIE: 464306 (batteries); 464300 (mains supply)



TEMPOFLUX 3 time flow side control flush system
Ref. DELABIE: 763300

A SINGLE PRODUCT FOR ALL TYPES OF INSTALLATION

ADJUSTABLE FINS



Installation example, TEMPOFLUX 3 side control flush system

DELABIE, manufacturer's expertise

DELABIE, a 100% family-owned French company, founded in 1928, is the European market leader in water controls and sanitary equipment for public and commercial places. The company offers five product ranges specifically for this market: Commercial water controls, Hospital water controls, Accessibility and Hygienic accessories, Stainless steel sanitary ware and Specialist water controls.

Over 2,000 DELABIE manufactured items, including international references, are exported from its factory in France to more than 90 countries.

The company has 9 subsidiaries worldwide: Germany, Austria, Benelux, United Kingdom, Spain, Portugal, Poland, United Arab Emirates (Dubai) and China (Hong-Kong).

Find DELABIE on these social networks



PRESS CONTACT

DELPHINE BUSSIÈRE
International Marketing Dept.

Tel. +33 (0)6 30 37 26 46
presse@delabie.fr